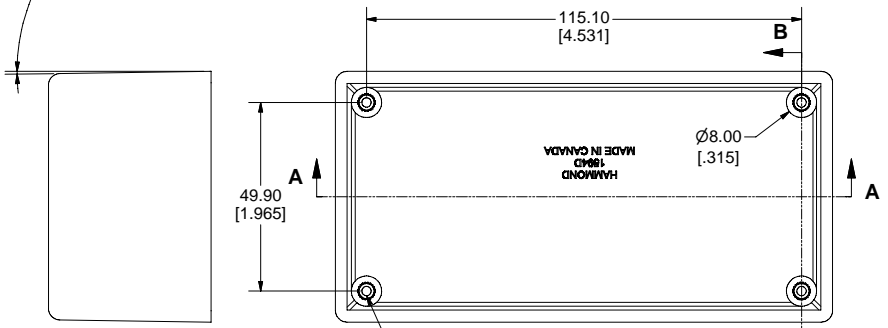
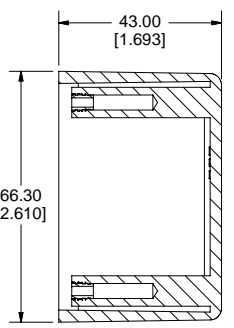


DRAFT ANGLE OF APPROXIMATELY 1°

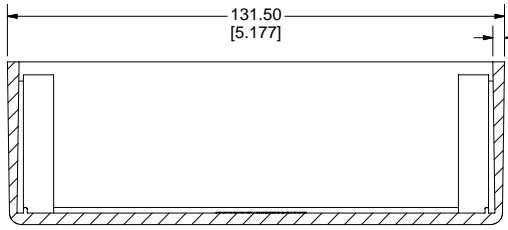
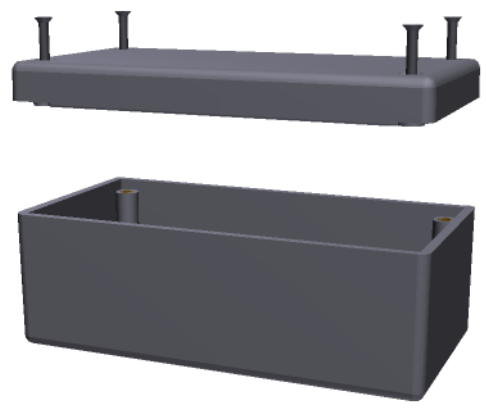


**TOP VIEW OF BOX**

M3 X 0.5 - 6H x 5.75  
THREADED HOLES



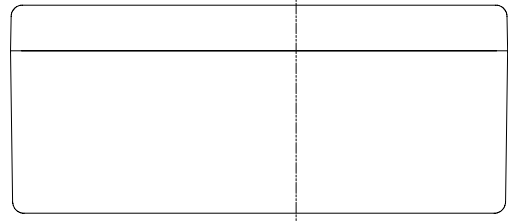
**SECTION B-B  
SCALE 1 : 1**



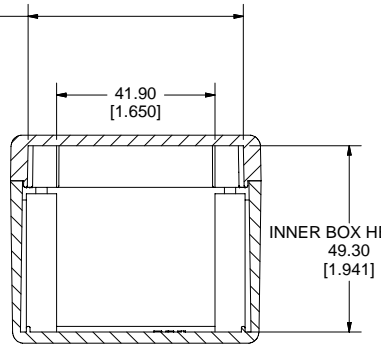
**SECTION A-A  
SCALE 1 : 1**

AVERAGE WALL THICKNESS  
3.10  
[1.22]

NARROWEST INSIDE DIAMETER  
56.97  
[2.243]

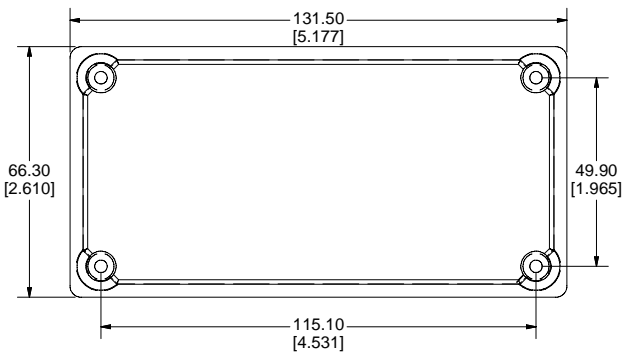


**SIDE VIEW OF ASSEMBLY**

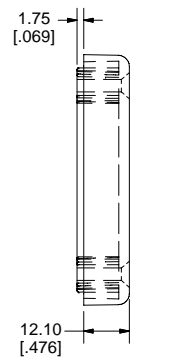


**SECTION D-D  
SCALE 1 : 1**

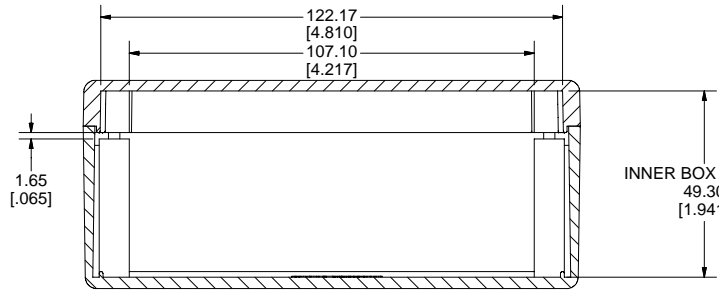
INNER BOX HEIGHT  
49.30  
[1.941]



**BOTTOM OF LID**

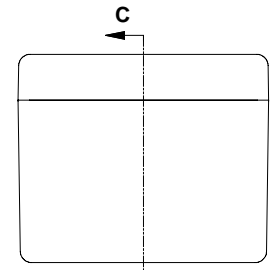


**SIDE OF LID**



**SECTION C-C  
SCALE 1 : 1**

INNER BOX HEIGHT  
49.30  
[1.941]



**END VIEW OF ASSEMBLY**

1594D Enclosure	
FLAME RETARDANT ABS	
Black - RAL 9011	1594DBK
Grey - RAL 7018	1594DGY
NON-FLAME RETARDANT ABS	
Grey - RAL 7035	1594DSGY
Black - RAL 9011	1594DSBK
LIQUID RESISTANT	
Black - RAL 9011	1594DWBK
ACCESSORIES	
Cover Screws Non-Flame Retardant (pkg. 100) [#4 x 1" Self-Tapping]	1594TS100
Cover Screws Flame Retardant (pkg. 100) [M3 - 0.5 x 20mm]	1594MS100
Cover Screws Liquid Resistant (pkg. 100) [M3 - 0.5 x 20mm]	1594WMS100
Circuit Board Holders	(See 1594Z Series)

**HAMMOND  
MANUFACTURING™**

**1594D**

www.hammondmfg.com

Enclosures can be Factory Modified (Milling, Drilling, Printing etc.)  
Solid models of this enclosure available in STEP or IGES.  
Contact Factory [mjm@hammondmfg.com](mailto:mjm@hammondmfg.com)